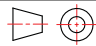
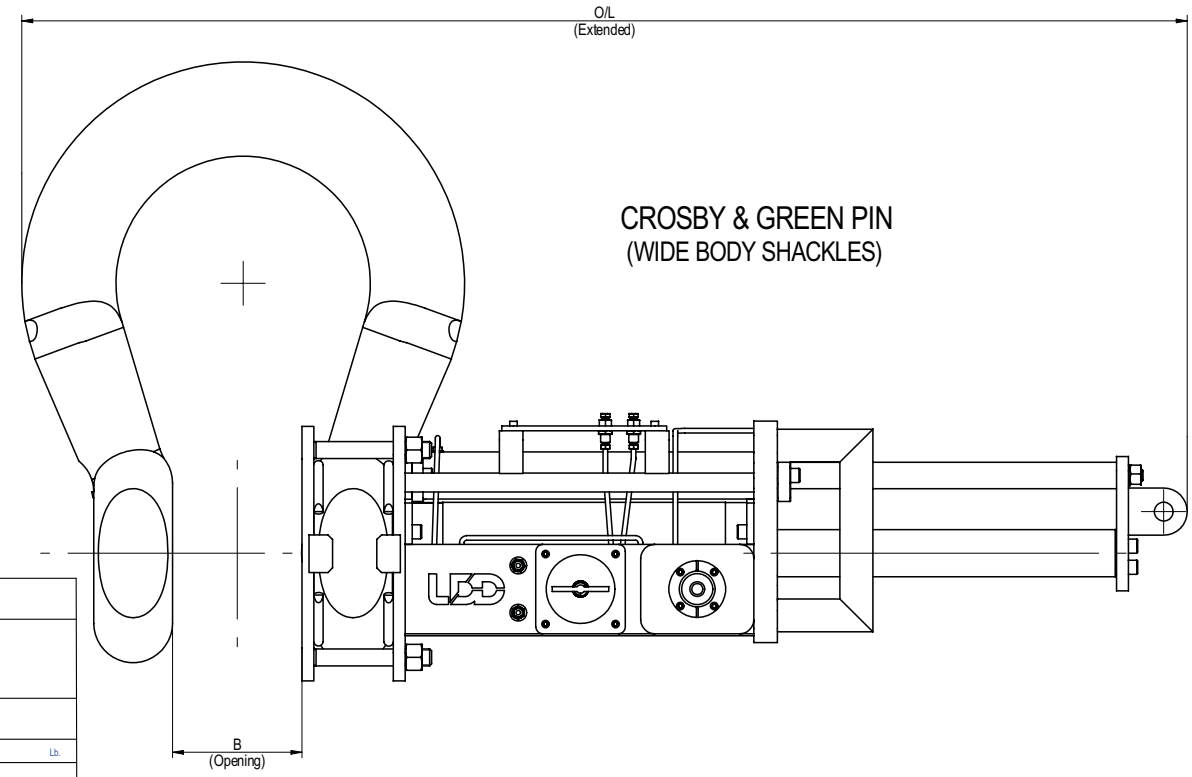
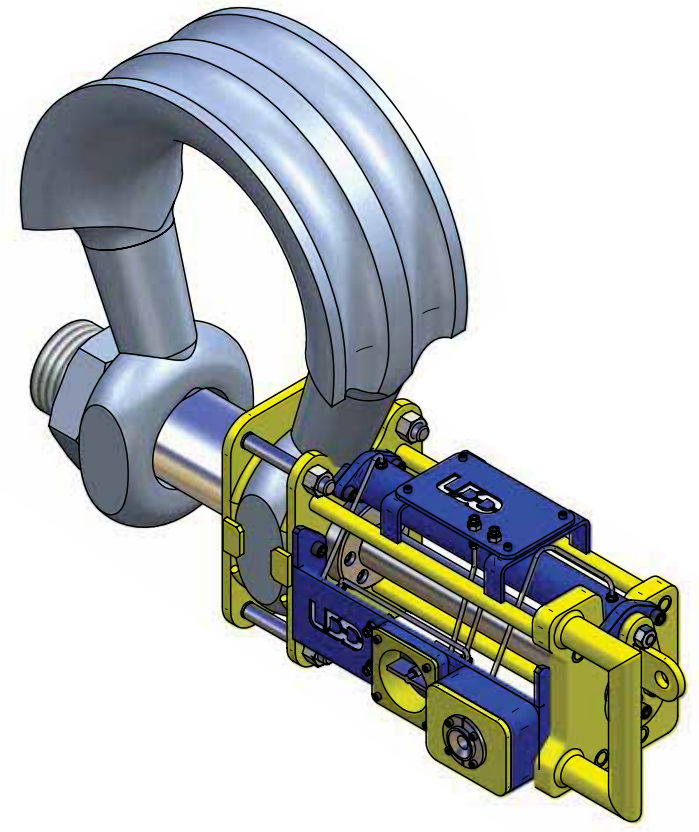
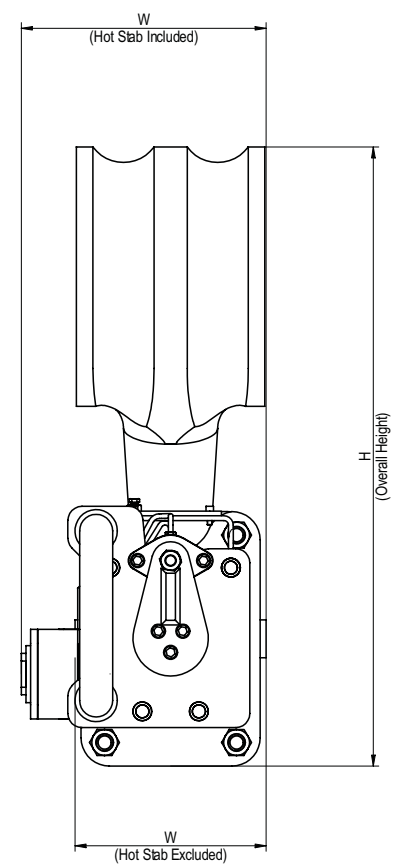
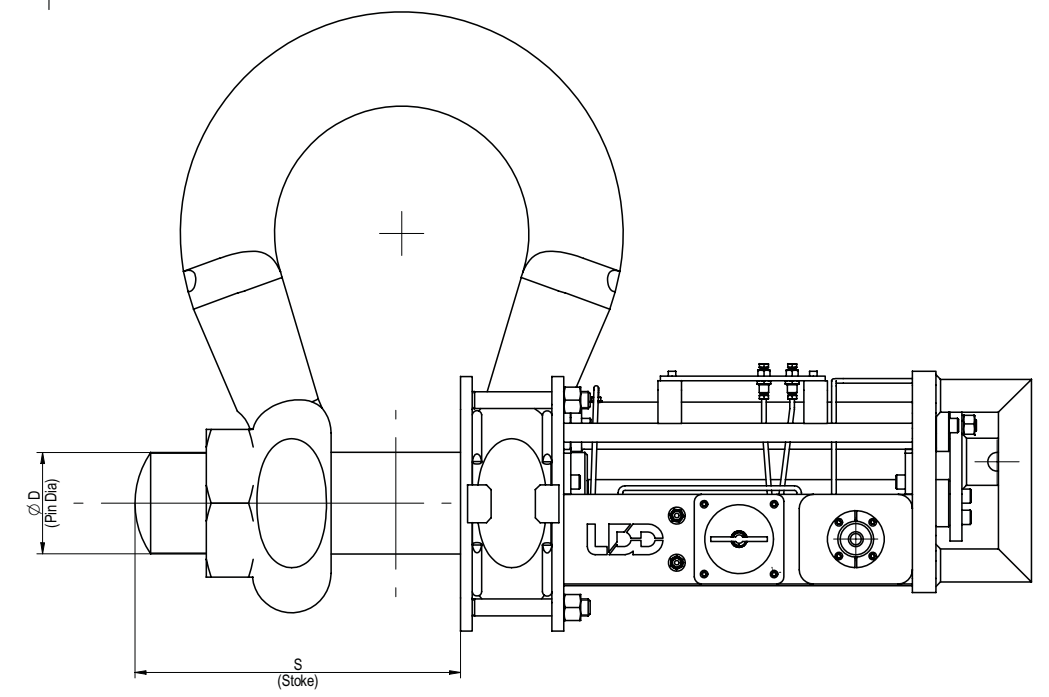


THIRD ANGLE PROJECTION 

IF IN DOUBT ASK DO NOT SCALE  
REMOVE ALL SHARP EDGES

ISS No.	DATE	CHANGE & REASON	SIGN
01	07.10.09	Information Only	CSJ
02	09.10.09	Marketing Info. Only	CSJ

ALL DIMENSIONS IN MILLIMETRES  
UNLESS OTHERWISE STATED.



# INFORMATION ONLY

Part No.	WLL (Tonnes)	D (mm)	SHACKLE (Crosby)	SHACKLE (Green Pin)	S (mm)	B (mm +/-5%)	W Hot Stab Included (mm)	W Hot Stab Excluded (mm)	H (mm)	O/L (mm)
LDD400T.*	400	160 Pin Dia	G-2160	P-6033	502 Stoke	200 Opening	448 Width	318 Width	1000 Ht.	1380 Retracted 1870 Extended
LDD500T.*	500	180 Pin Dia	G-2160	P-6033	568 Stoke	225 Opening	476 Width	348 Width	1020 Ht.	1450 Retracted 1990 Extended
LDD600T.*	600	200 Pin Dia	G-2160	P-6033	632 Stoke	250 Opening	498 Width	358 Width	1230 Ht.	1700 Retracted 2287 Extended
LDD700T.*	700	215 Pin Dia	G-2160	P-6033	691 Stoke	275 Opening	507 Width	380 Width	1314 Ht.	1900 Retracted 2487 Extended
LDD800T.*	800	230 Pin Dia	G-2160	P-6033	742 Stoke	300 Opening	528 Width	400 Width	1420 Ht.	2100 Retracted 2787 Extended
LDD900T.*	900	250 Pin Dia	G-2160	P-6033	802 Stoke	320 Opening	528 Width	400 Width	1472 Ht.	2320 Retracted 3087 Extended
LDD1000T.*	1000	270 Pin Dia	G-2160	P-6033	860 Stoke	345 Openin	528 Width	400 Width	1520 Ht.	2500 Retracted 3307 Extended
LDD1250T.*	1250	300 Pin Dia	-	P-6033	960 Stoke	390 Opening	567 Width	440 Width	1620 Ht.	2800 Retracted 3870 Extended
LDD1500T.*	1500	320 Pin Dia	-	P-6033	1018 Stoke	415 Opening	587 Width	450 Width	1720 Ht.	3010 Retracted 4007 Extended

ALL DIMENSIONS ARE APPROXIMATE AND REQUIRE CONFIRMATION ON PLACEMENT OF ORDER. DESIGN BASED ON CROSBY AND GREEN PIN TYPE SHACKLES. OTHER TYPE SHACKLES ACCOMODATED ON REQUEST.

\*When Placing Order, To Specify The Shackle Type Required (e.g. Crosby G-2160 or Green Pin P-6033); Follow The LDD Part No. With The Shackle Type No. For Example: 700Tonne Hydraulic Release Shackle (Crosby Type), The Order No. Would Be LDD700T-G-2160

MATERIAL SPEC.

FINISH

HEAT TREATMENT

EST. WEIGHT See Table Kg Lb.

ASSY. No.

No. OFF PER ASSY.

DRG.No. 8500-07000

SUPERSEDES	SCALE	NTS
1	DATE	09.10.09
SUPERSEDED BY	DRAWN	CSJ
	CHECKED	

TITLE: LDD HYDRAULIC RELEASE SHACKLE - WIDE BODY TYPE

ALL MACHINED SURFACES TO BE 1.5 µm Ra (Rz) CLA UNLESS OTHERWISE STATED.

UNSPECIFIED TOLERANCES: FABRICATION ± 1mm. GENERAL TOL. ± 0.2mm. DRILLED HOLES ± 0.2mm. ANGULAR ± 0.5°.

WELDING SYMBOLS TO BS EN 22553:1995. GEOMETRIC TOLERANCE BS 308 PART 3. SURFACE FINISH TO BS 1134 µm Ra (Rz).

THE INFORMATION CONTAINED HEREIN CONSTITUTES PROPRIETARY CONFIDENTIAL AND TRADE SECRET INFORMATION OF LARGE DIAMETER DRILLING LIMITED AND IS TO BE ACCEPTED SUBJECT TO THAT UNDERSTANDING THIS DRAWING MUST BE KEPT CONFIDENTIAL AND REMAINS THE PROPERTY OF LARGE DIAMETER DRILLING LIMITED AND MAY NOT BE LOANED, COPIED, REPRODUCED, DISCLOSED TO THIRD PARTIES OR USED FOR ANY OTHER PURPOSE OTHER THAN THAT FOR WHICH IT IS SUPPLIED WITHOUT PRIOR WRITTEN AUTHORITY FROM LARGE DIAMETER DRILLING LIMITED.

LARGE DIAMETER DRILLING LTD. ROSEMANOVES QUARRY, HERNES, LONGDOWN, PENRYN, CORNWALL, TR10 1DU.

