

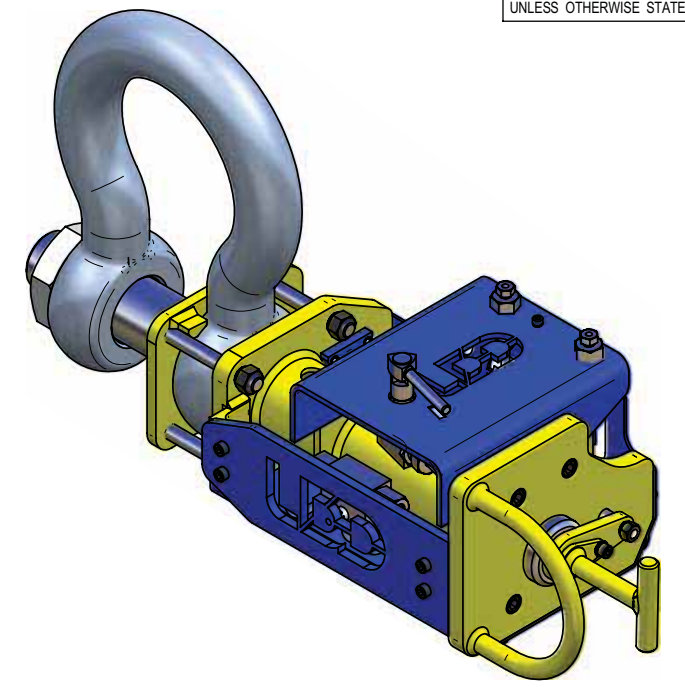
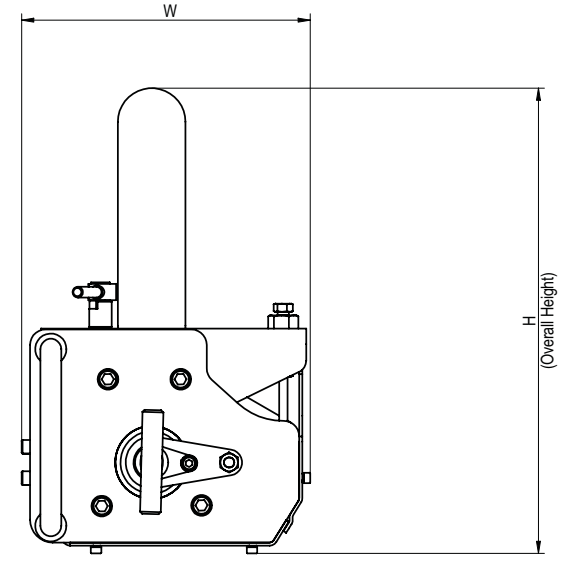
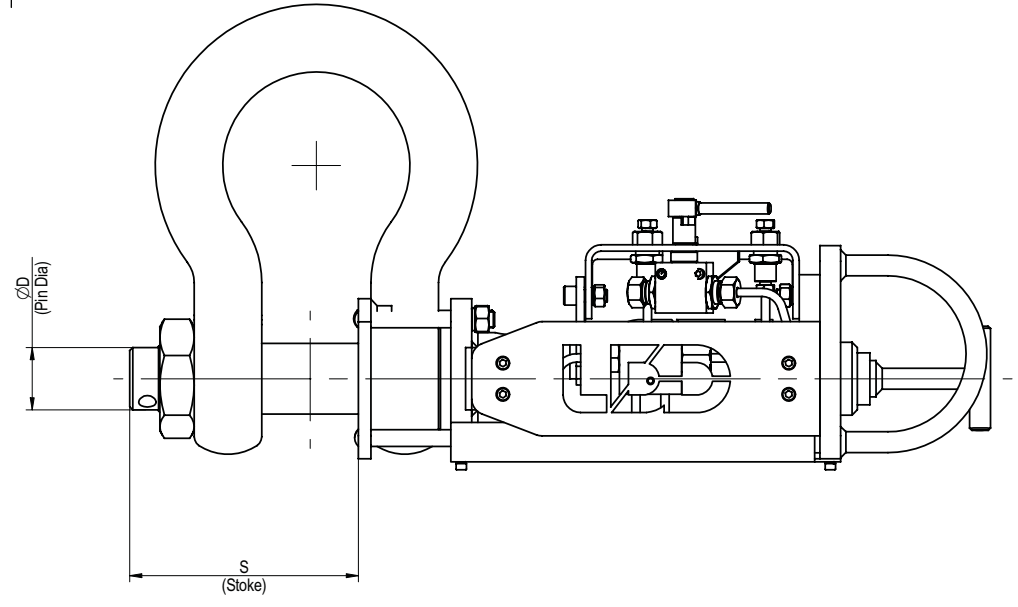
THIRD ANGLE PROJECTION

IF IN DOUBT ASK DO NOT SCALE

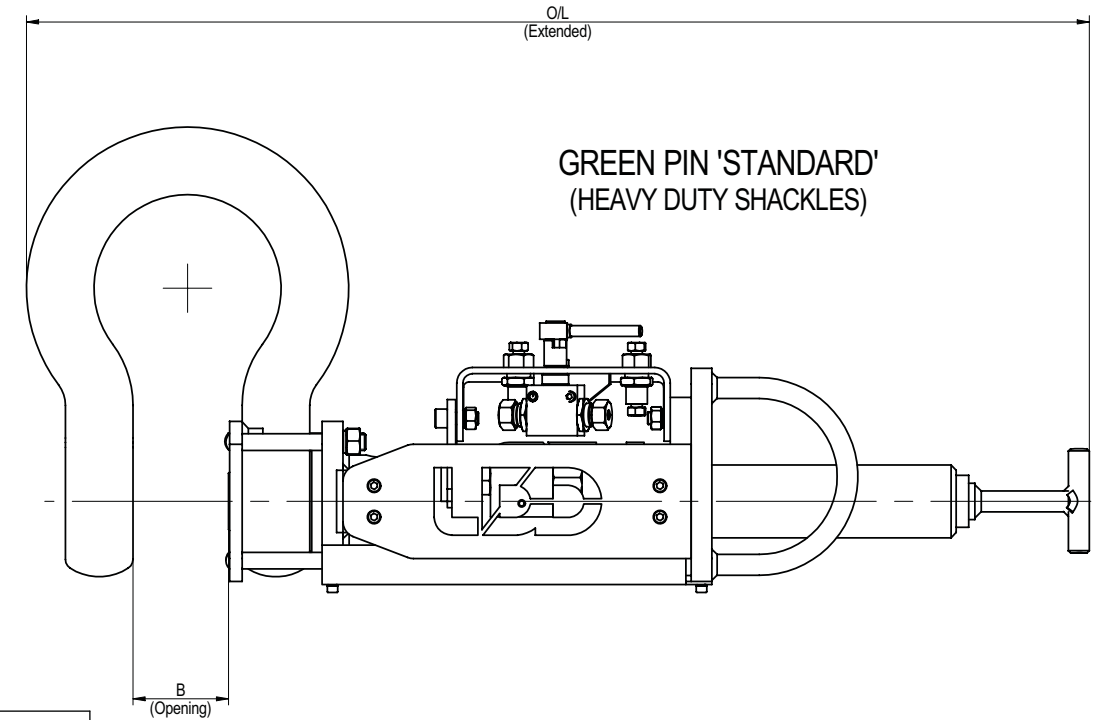
REMOVE ALL SHARP EDGES

REV. NO.	DATE	CHANGE & REASON	SIGN.
01	09.10.09	Marketing Info. Only	CSJ

ALL DIMENSIONS IN MILLIMETRES
UNLESS OTHERWISE STATED.



INFORMATION ONLY



MATERIAL SPEC.	
FINISH	
HEAT TREATMENT	
EST. WEIGHT See Table	Kg. Lb.
ASSY. No.	
No. OFF PER ASSY.	

DRG. No. 8500-99550

SUPERSEDES	SCALE	NTS
	DATE	09.10.09
SUPERSEDED BY	DRAWN	CSJ
	CHECKED	

TITLE: LDD HYDRAULIC RELEASE SHACKLE - GREEN PIN 'STANDARD'

Part No.	WLL (Tonnes)	D (mm)	SHACKLE (Green Pin)	S (mm)	B (mm +/-5%)	W Hot Stab Included (mm)	W Hot Stab Excluded (mm)	H (mm)	O/L (mm)
LDD17T-G-4163	17	42 Pin Dia	G-4163	106 Stoke	48 Opening	NA	230 Width	318 Ht.	505 Retracted
LDD25T-G-4163	25	50 Pin Dia	G-4163	120 Stoke	62 Opening	NA	230 Width	318 Ht.	540 Retracted
LDD35T-G-4163	35	57 Pin Dia	G-4163	179 Stoke	71 Opening	NA	230 Width	355 Ht.	710 Retracted
LDD55T-G-4163	55	70 Pin Dia	G-4163	230 Stoke	93 Opening	NA	273 Width	462 Ht.	830 Retracted
LDD85T-G-4163	85	83 Pin Dia	G-4163	259 Stoke	115 Opening	NA	273 Width	568 Ht.	910 Retracted
LDD120T-P-6036	120	95 Pin Dia	P-6036	328 Stoke	125 Opening	NA	300 Width	668 Ht.	1064 Retracted
LDD150T-P-6036	150	108 Pin Dia	P-6036	368 Stoke	145 Opening	NA	310 Width	705 Ht.	1140 Retracted
LDD200T-P-6036	200	130 Pin Dia	P-6036	382 Stoke	150 Opening	NA	310 Width	860 Ht.	1268 Retracted
LDD250T-P-6036	250	140 Pin Dia	P-6036	419 Stoke	175 Opening	NA	310 Width	925 Ht.	1338 Retracted
LDD300-P-6036	300	150 Pin Dia	P-6036	431 Stoke	175 Opening	NA	310 Width	1030 Ht.	1430 Retracted
LDD400T-P-6036	400	175 Pin Dia	P-6036	491 Stoke	200 Opening	NA	385 Width	1150 Ht.	1580 Retracted
LDD500T-P-6036	500	185 Pin Dia	P-6036	512 Stoke	225 Opening	NA	385 Width	1210 Ht.	1650 Retracted
LDD600T-P-6036	600	205 Pin Dia	P-6036	578 Stoke	250 Opening	NA	440 Width	1275 Ht.	1800 Retracted
LDD700T-P-6036	700	215 Pin Dia	P-6036	600 Stoke	270 Opening	NA	440 Width	1300 Ht.	1900 Retracted
LDD800T-P-6036	800	220 Pin Dia	P-6036	619 Stoke	265 Opening	NA	440 Width	1300 Ht.	2008 Retracted
LDD900T-P-6036	900	230 Pin Dia	P-6036	662 Stoke	285 Opening	NA	500 Width	1330 Ht.	2126 Retracted
LDD1000T-P-6036	1000	240 Pin Dia	P-6036	671 Stoke	305 Opening	NA	500 Width	1380 Ht.	2260 Retracted
LDD1250T-P-6036	1250	270 Pin Dia	P-6036	742 Stoke	315 Opening	NA	600 Width	1440 Ht.	2310 Retracted
LDD1500T-P-6036	1500	290 Pin Dia	P-6036	786 Stoke	315 Opening	NA	600 Width	1500 Ht.	2360 Retracted

ALL DIMENSIONS ARE APPROXIMATE AND REQUIRE CONFIRMATION ON PLACEMENT OF ORDER. DESIGN BASED ON GREEN PIN (HEAVY DUTY) 'STANARD' TYPE SHACKLES. OTHER TYPE SHACKLES ACCOMODATED ON REQUEST.

ALL MACHINED SURFACE FINISHES TO BE $\sqrt{1.6}$ $\mu\text{m Ra}$ (63 μ CLA) UNLESS OTHERWISE STATED.

UNSPECIFIED TOLERANCES: FABRICATION ± 1 mm. GENERAL TOL ± 0.2 mm. DRILLED HOLES ± 0.2 mm, 0.05 mm. ANGULAR $\pm 0.5^\circ$

WELDING SYMBOLS TO BS EN 22553:1995 GEOMETRIC TOLERANCE BS 308 PART 3 SURFACE FINISH TO BS 1134 $\mu\text{m Ra}$ (63)

THE INFORMATION CONTAINED HEREIN CONSTITUTES PROPRIETARY CONFIDENTIAL AND TRADE SECRET INFORMATION OF LARGE DIAMETER DRILLING LIMITED AND IS TO BE ACCEPTED SUBJECT TO THAT UNDERSTANDING THIS DRAWING MUST BE KEPT CONFIDENTIAL AND REMAINS THE PROPERTY OF LARGE DIAMETER DRILLING LIMITED AND MAY NOT BE LOANED, COPIED, EXHIBITED, DISCLOSED TO THIRD PARTIES OR USED FOR ANY OTHER PURPOSE OTHER THAN THAT FOR WHICH IT IS SUPPLIED WITHOUT PRIOR WRITTEN AUTHORITY FROM LARGE DIAMETER DRILLING LIMITED.

LARGE DIAMETER DRILLING LTD. ROSEMANOVES QUARRY, FERRISS LONGWOODS, FENRYN CORNWALL, TR10 9DU

